

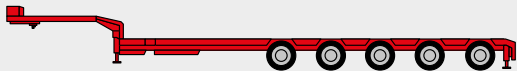
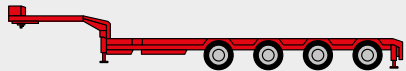


SCHEUERLE EUROAXLE AXLE TECHNOLOGY
RELIABLE TECHNOLOGY – CONSISTENTLY SIMPLE

EUROAXLE – THE MAINTENANCE-FREE AXLE TECHNOLOGY

DRIVING INSTEAD OF MAINTAINING

3- TO 6-AXLES (SINGLE TELESCOPIC FUNCTION AS AN OPTION)

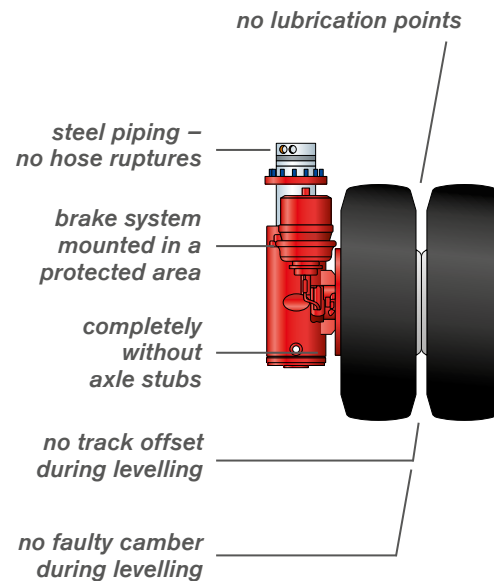


The SCHEUERLE EuroAxle Series changes everything. Maintenance? It's a thing of the past. Tyre wear? Reduced to a fraction of the time previously required. Rupture-prone hydraulic hoses? Technically no longer necessary. Unsprung mass? Virtually non-existent.

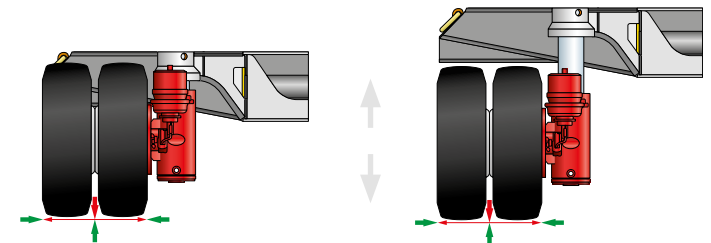
We spent a long time looking at the market and thought: we can do better! For you, we have analyzed the mistakes of others and found a better way. After carrying out exciting endurance and load tests, we now know:

with the EuroAxle series, a new era for independent wheel suspension has begun in heavy transport. Without fault-prone moving parts. Without transverse control arm. Without axle stubs. However, with a good amount of German engineering expertise.

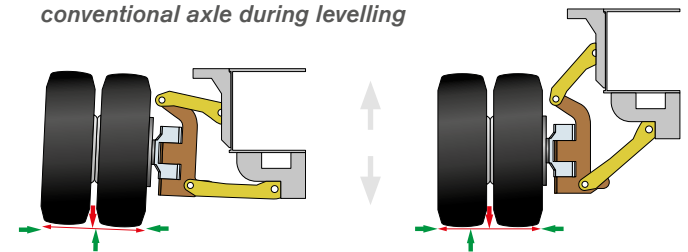
WE GIVE WEAR NO CHANCE!



thanks to EuroAxle: no track offset and no faulty camber



conventional axle during levelling



THE EUROAXLE

FOR THOSE WHO CANNOT AFFORD ANY DOWNTIME

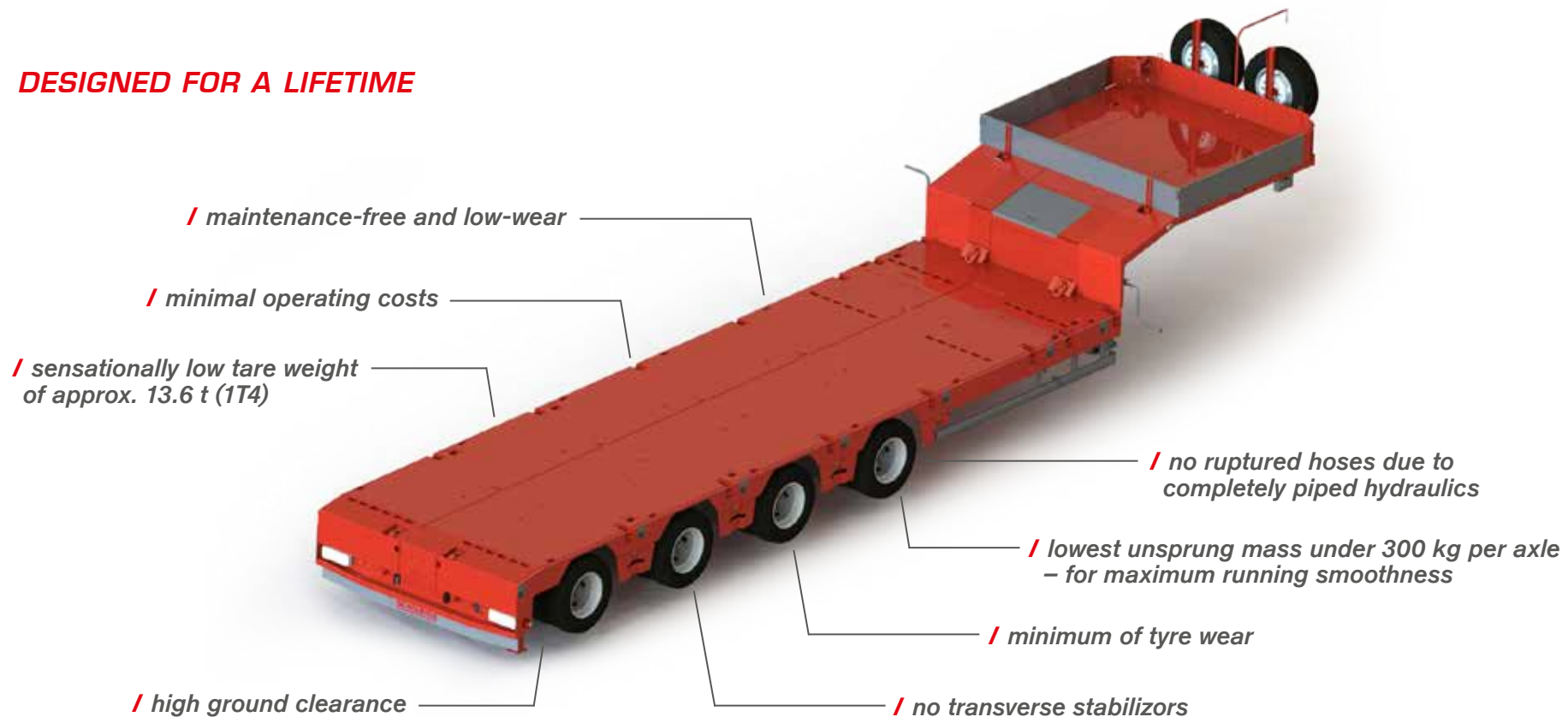
With the EuroAxle, SCHEUERLE offers a semi-trailer part of which your competitors can see one thing in particular – namely the tail lights.

While their vehicles are being lubricated and inspected, you are already handling the next transport.

With 12 t axle (acceptance according StVZO) and 26 t fifth wheel load, you are excellently positioned in the market. 850 mm drive height + 245/-70 mm, an approx. 58° steering angle as well as widths of 2,540 mm (3- to 4-axle) and 2,750 mm (5- to 6-axle) guarantee a wide range of applications. With the extendable central beam and lateral extensions up to 3,000 mm, you are well-equipped for all load cases. Your EuroAxle facilitates

easy and safe operations while separate lifting and lowering on each side is available if required, along with steering by remote control as well as levelling the vehicle automatically into driving position. The trailer information management on the gooseneck keeps you informed regarding all important parameters, and a wide range of accessories of ramps and features for load securing ensures easy loading and safety during driving operations.

DESIGNED FOR A LIFETIME



TII Sales
*Transporter Industry International
Sales GmbH & Co. KG
Otto-Rettenmaier-Str. 15
74629 Pfedelbach
Germany*

*Phone: +49 7941 691 200
Fax: +49 7941 691 400
E-Mail: info@tii-sales.com*

www.tii-group.com